

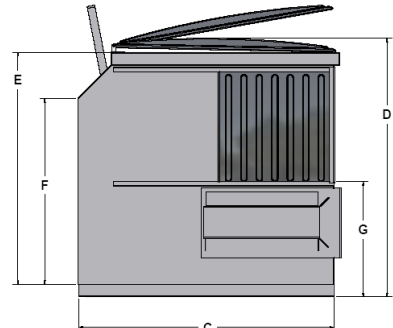
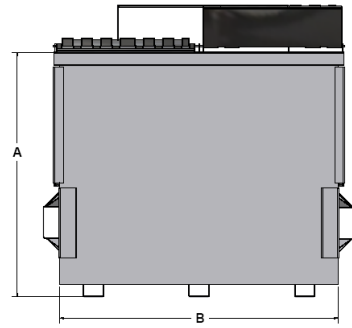
Front Load Containers

6-Yard Capacity

Specifications	
Shipping Weight (approx)	1075 LBS
Construction	
Side Walls	12 Ga. A-36 Steel
Floor	10 Ga. A-36 Steel
Top Ribs	1 1/2" x 3 1/2" x 3/16" Formed
Skids	3" x 5" x 3/16" Formed
Pockets	3/16" w/ 3/16" Back Plate
Drain & Plug	1 1/2" Diameter

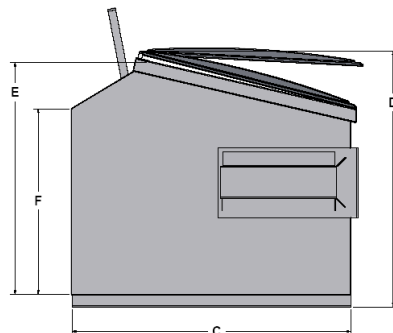
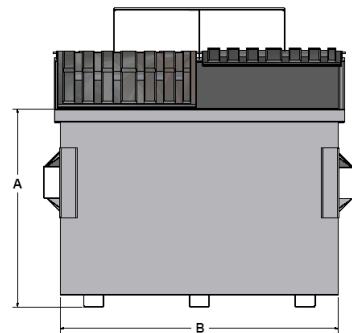
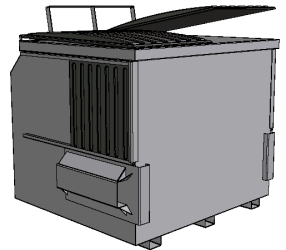
Lids Single or Double Wall Available
 All Specifications are subject to change without notice.

Model	A	B	C	D	E	F	G
FL-6SD	63"	72"	66"	67"	60"	48"	30"
FL-6SL	51"	72"	72"	66 1/4"	60"	48"	-
FL-6LP	57"	72"	72"	61"	54"	-	-

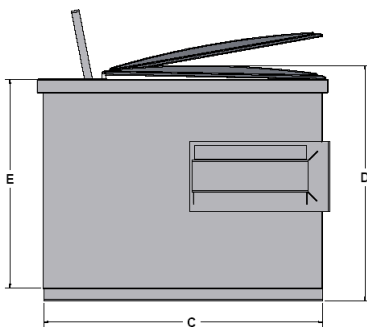
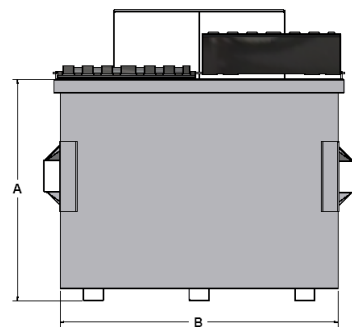
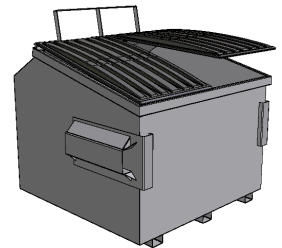


6-Yard Side Door Front Load

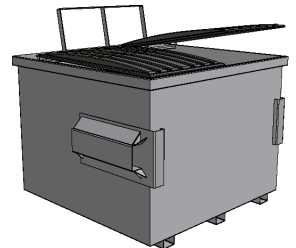
➤ 1 or 2 Side Doors Available



6-Yard Slant Front Load



6-Yard Low Profile Front Load



Illustrations for reference only



Distributor

385 Sumpter Road • Belleville • MI 48111-2932 • Phone (734) 699-5561 • Fax (734) 699-0360
 P.O. Box 68 • Belleville • MI 48112-0068
 On the Web at: <http://www.contractwelding.com>

03/18 REV 2