

# SC-32 Self-Contained Compactor

Specifications	
Manufacture's Rated Size	1.50 Cubic Yards
Rated Size	1.30 Cubic Yards
Cycle Time	32 Seconds
Capacity Per Hour	146.25 Yards
Clear Top Opening (L x W)	32" x 57 1/2"
Ram Face Dimensions (W x H)	59 3/4" x 29 3/4"
Ram Penetration	12"
Cylinder Bore, Rod & Stroke	5" x 2.5" x 42"
Operating Pressure	
Normal	1500 PSI
Maximum	2000 PSI
Ram Force Rating	
Normal	16.57 PSI / 29,452 Lbs
Maximum	22.10 PSI / 39,270 Lbs
Motor (HP)	10 HP
Pump (GPM)	12 GPM
Tank Capacity	20 Gallons
Shipping Weight	11,800 Lbs (approx)
Construction	
Frame	
Floor - AR Plate	1/2"
Floor Plate Supports	3"- 4.1 Lb Channel
Side Plates	1/4"
Side Reinforcements	2"x4"x 1/4" Tube
Breaker Bar	4" x 4" x 3/8" Tube
Ram Hold Down Bars	1 1/4" x 1 1/4" Bar
Ram	
Face Plate	3/4"
Floor - AR Plate	1/2"
Side Plates	3/8"
Top Plate	1/4"
Sliding Plate	3/8"

All Specifications are subject to change without notice.

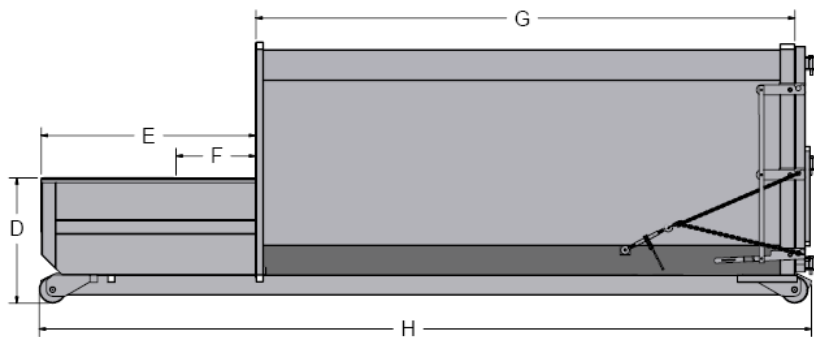
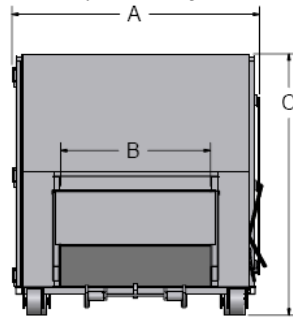


Illustration for reference only

A	B	C	D	E	F	G	H	Capacity
99 1/4"	60"	104 1/2"	52"	87 1/2"	32"	216"	310"	32-Yards

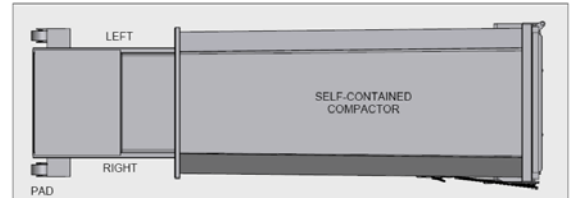
## Installation Requirements

### Minimum Recommended Requirements:

- Concrete Pad: 10' x 28' (May be made larger to suit)  
4,000 PSI Reinforced, 6" Thick

### Minimum Clearance Requirements:

- 12" From Back of Compactor to Wall
- 36" From Right & Left of Compactor to Wall



## Electrical Disconnect Requirements

### 10 HP Motor

Voltage	Amperage	Fuse
208	60	50
240	60	40
480	30	20

## Standard Features

- 80% & 100% Full Indicator Lights
- Quick Disconnect Hydraulic Hoses
- Pressure Gage
- NEMA 4 Control Enclosure
- Guide Rails & Stops
- 4-Inch Clean Out

## Available Options

- Hoppers & Enclosures - Any Configuration
- Interlock and Security Doors
- Oil Heater
- Power Unit Cover
- Remote Operation



Distributor

385 Sumpter Road • Belleville • MI 48111-2932 • Phone (734) 699-5561 • Fax (734) 699-0360  
P.O. Box 68 • Belleville • MI 48112-0068  
On the Web at: <http://www.contractwelding.com>

02/07 REV2