

Snow Pusher Loader Mount

Specifications

| Model | Weight (Approx.) |
|---------|------------------|
| SP-1048 | 3,500 Lbs |
| SP-1248 | 4,100 Lbs |
| SP-1448 | 4,350 Lbs |
| SP-1648 | 4,600 Lbs |
| SP-1848 | 4,840 Lbs |
| SP-2048 | 5,100 Lbs |

Construction

| | |
|--------------------------|------------------------------|
| Main Push Plate | 1/4" x 48" |
| Side Plates | 3/4" x 48" x 48" |
| Integrated Bucket Mounts | 3/4" (3 per on 12' and up) |
| Bucket Mount Supports | 6" x 2" x 1/4" Tube |
| Edge Mounting Bracket | 6" x 4" x 1/2" Struct. Angle |
| Horizontal Mid Brace | 12" Struct. Channel |
| Horizontal Top Brace | 6" Struct. Channel |
| Cutting Edge | 1 1/2" x 10" Rubber |
| Rubber Hold Down | 3/8" with 3/4" Bolts |
| Skid Shoes | 1" AR450 |
| Skid Mount Plate | 3/8" with 3/4" Bolts |

All Specifications are subject to change without notice.

Standard Features

- Full Weld Construction
- Adjustable & Reversible Rubber Cutting Edge

Available Options

- Steel Cutting Edge
- Customized Mounts

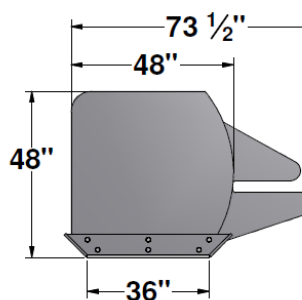
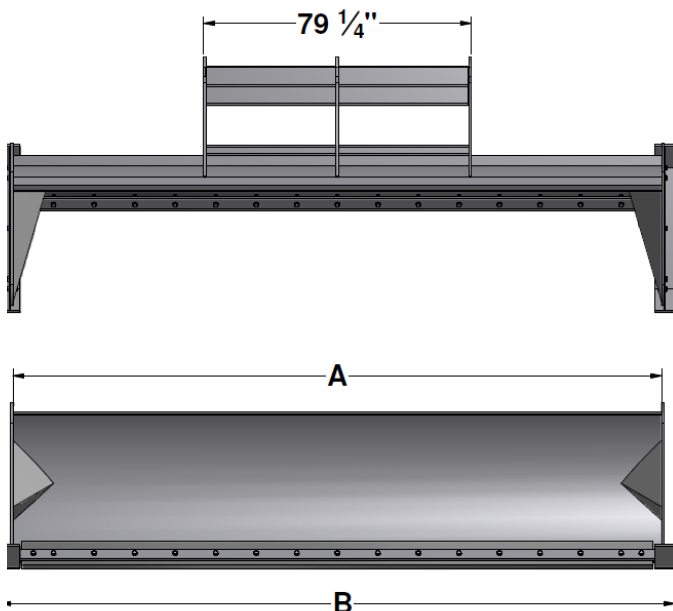
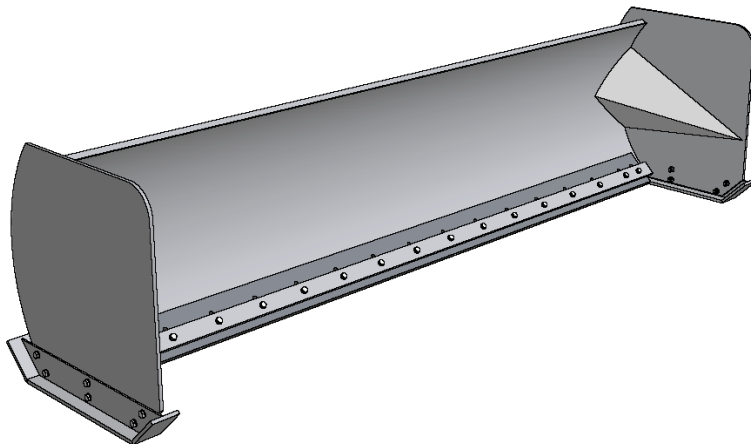


Illustration for reference only

| Model | A | B |
|---------|--------|--------|
| SP-1048 | 10'-0" | 10'-8" |
| SP-1248 | 12'-0" | 12'-8" |
| SP-1448 | 14'-0" | 14'-8" |
| SP-1648 | 16'-0" | 16'-8" |
| SP-1848 | 18'-0" | 18'-8" |
| SP-2048 | 20'-0" | 20'-8" |

