

Roll-Off Containers *Heavy Duty*

20 to 90 -Yard Capacity

Specifications		
Manufacture's Rated Size	Shipping Weight	
20 Cubic Yards	6, 300 Lbs (approx)	
25 Cubic Yards	6, 750 Lbs (approx)	
30 Cubic Yards	7, 200 Lbs (approx)	
40 Cubic Yards	9, 480 Lbs (approx)	
50 Cubic Yards	11, 500 Lbs (approx)	
60 Cubic Yards	14, 260 Lbs (approx)	
70 Cubic Yards	16, 500 Lbs (approx)	
80 Cubic Yards	18, 400 Lbs (approx)	
90 Cubic Yards	20, 250 Lbs (approx)	
Construction	Heavy Duty	
Sides	Side Walls	3/16" Plate
	Top Rails	4" x 4" x 1/4" Tube
	Side Supports	3/16" Formed Channel 24" Centers
	Rear Corner Posts	1/4" Formed Channel
Floor	Long Rails	6" x 2" x 5/16" Tube
	Rail End Inserts	1 1/2" Plate
	Floor Plate	1/4" Plate
	Floor Reinforcement	3" - 4.1 # Structural Channel 12" Centers
	Hook Plate	1" Plate
	Hook	2" Plate
	Rollers	3 1/2" O.D. x 6" Wide
	Roller Arms	1" Plate
	Wheels	10 3/4" O.D. x 8" Wide
	Axles	1 7/8" O.D. with Grease Fitting
Front	Wheel Brackets	3/8" Plate
	Wall	3/16" Plate
	Reinforcement	3/16" Formed Channel
Door	Bumper Pad	3/8" x 12" x 36" Formed
	Wall	3/16" Plate
	Frame	4" x 4" x 1/4" Tube
	Supports	2 - 3/16" Formed Channel

Standard Features

- Grease Fittings on All Hinges & **Both** Sides of All Axles
- Door Guides
- Single Handled Latch Lever Bar
- Tarp Hold Downs

Available Options

- Neoprene Door Seals
- Custom Latch Systems
- Top Hinged "Dump Style" Door
- Custom Top Covers
- Customization Available

Model	A	B	C	D	E	F	Capacity
RO-20	23' 6 1/2"	22'	56"	44"	96"	85 1/2"	20 Yards
RO-25	23' 6 1/2"	22'	66"	54"	96"	85 1/2"	25 Yards
RO-30	23' 6 1/2"	22'	76"	64"	96"	85 1/2"	30 Yards
RO-40	23' 6 1/2"	22'	96"	84"	96"	85 1/2"	40 Yards
RO-50	29' 6"	28'	96"	84"	96"	85 1/2"	50 Yards
RO-60	35' 6"	34'	96"	84"	96"	85 1/2"	60 Yards
RO-70	39' 6"	38'	96"	84"	96"	85 1/2"	70 Yards
RO-80	39' 6"	38'	102"	90"	102"	91"	80 Yards
RO-90	44' 6"	43'	102"	90"	102"	91"	90 Yards

All Specifications are subject to change without notice.

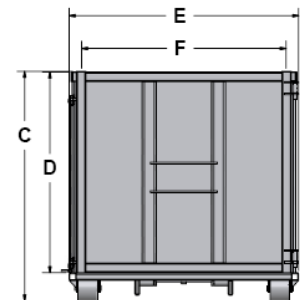
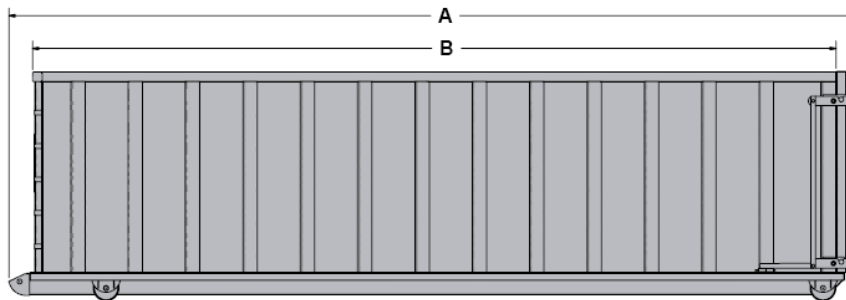


Illustration for reference only



Distributor

385 Sumpter Road • Belleville • MI 48111-2932 • Phone (734) 699-5561 •
Fax (734) 699-0360
P.O. Box 68 • Belleville • MI 48112-0068

4/12 REV_2