

# Snow Pusher Backhoe Mount

## Specifications

Model	Weight (Approx.)
SP-1036	1,980 Lbs.
SP-1236	2,220 Lbs.
SP-1436	2,360 Lbs.
SP-1636	2,500 Lbs.

## Construction

Main Push Plate	3/16" x 36"
Side Plates	3/4" x 36" x 36"
Integrated Bucket Mounts	3/4" (3 per on 12' and up)
Bucket Mount Supports	6" x 2" x 1/4" Tube
Edge Mounting Bracket	4" x 4" x 1/2" Struct. Angle
Horizontal Mid Brace	12" Struct. Channel
Horizontal Top Brace	4" Struct. Channel
Cutting Edge	1 1/2" x 10" Rubber
Rubber Hold Down	3/8" with 3/4" Bolts
Skid Shoes	1" AR450
Skid Mount Plate	3/8" with 3/4" Bolts

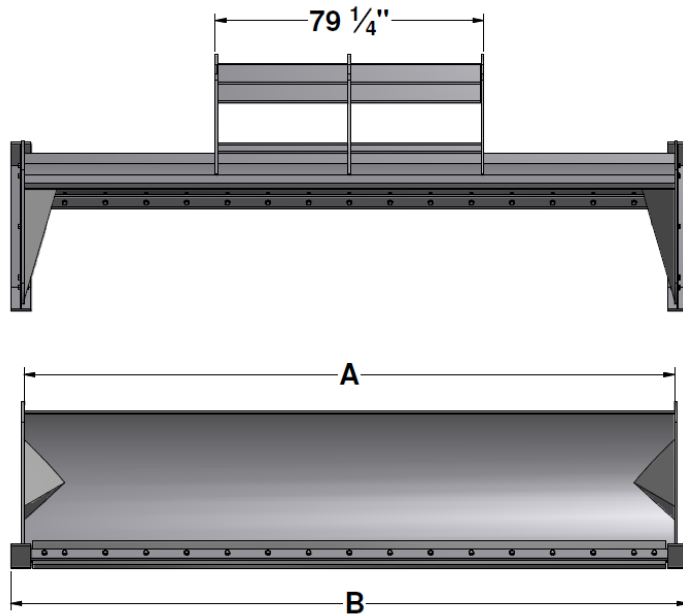
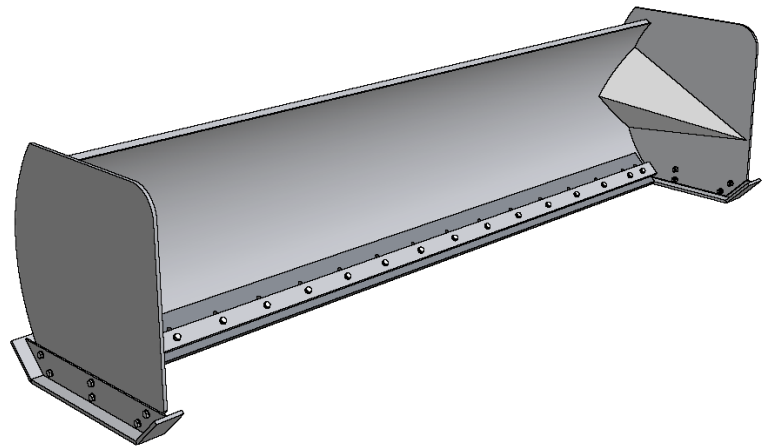
All Specifications are subject to change without notice.

## Standard Features

- Full Weld Construction
- Adjustable & Reversible Rubber Cutting Edge

## Available Options

- Steel Cutting Edge
- Customized Mounts



Model	A	B
SP-1036	10'-0"	10'-8"
SP-1236	12'-0"	12'-8"
SP-1436	14'-0"	14'-8"
SP-1636	16'-0"	16'-8"

Illustration for reference only

