

40-OCT Roll-Off Container

40-Yard Octagon

| Specifications | | |
|--------------------------|---------------------|--|
| Manufacture's Rated Size | Shipping Weight | |
| 40 Cubic Yards | 8, 100 Lbs (approx) | |
| Construction | | |
| Sides | Side Walls | 3/16" Plate |
| | Rear Corner Posts | 4 x 4 x 1/4" Tube |
| Floor | Long Rails | 6" x 2" x 1/4" Tube |
| | Rail End Inserts | 1 1/2" Plate |
| | Floor Plate | 3/16" Plate |
| | Floor Reinforcement | 3" - 4.1 # Structural Channel 16" Centers |
| | Hook Plate | 3/4" Plate |
| | Hook | 1 1/2" Plate |
| | Rollers | 3 1/2" O.D. x 6" Wide |
| | Roller Arms | 1" Plate |
| | Wheels | 10 3/4" O.D. x 8" Wide |
| | Axles | 1 7/8" O.D. with Grease Fitting |
| Front | Wheel Brackets | 3/8" Plate |
| | Wall | 3/16" Plate |
| | Reinforcement | 3" x 3" x 1/4" Tube |
| | Bumper Pad | 3/8" x 12" x 36" Formed |

Standard Features

- Grease Fittings on All Hinges & **Both** Sides of All Axles
- Door Guides
- Single Handled Latch Lever Bar

Available Options

- Secondary Compactor Opening Door
- Door Seals
- Super-Duty Construction

All Specifications are subject to change without notice.

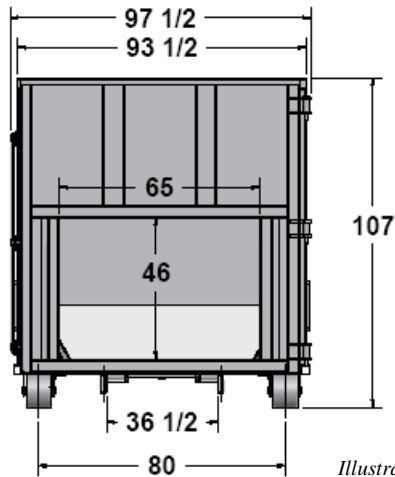
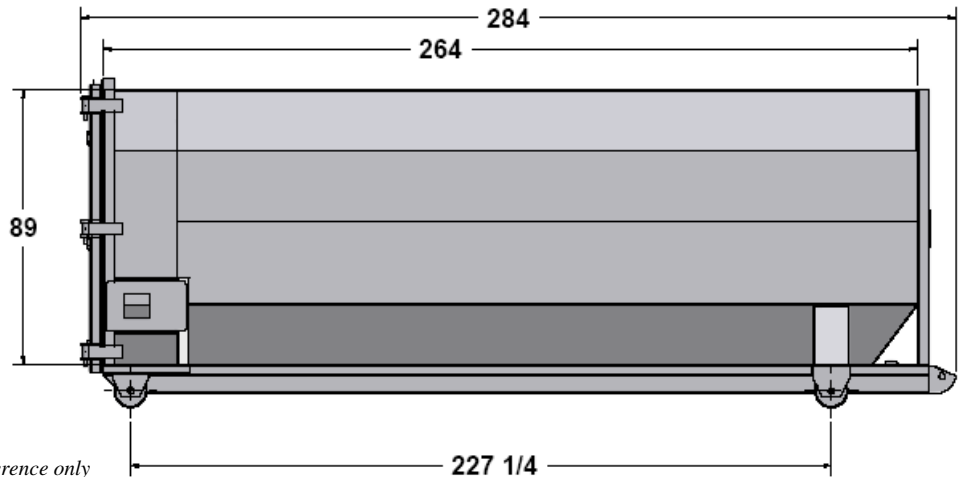


Illustration for reference only



Distributor

385 Sumpter Road • Belleville • MI 48111-2932 • Phone (734) 699-5561 • Fax (734) 699-0360

P.O. Box 68 • Belleville • MI 48112-0068

On the Web at: <http://www.contractwelding.com>

07/07 REV2