

# Load Lugger Standard Duty

## 8 to 20-Yard Capacity

### Specifications

Construction	Standard Duty
Side Walls	3/16" A-36 Plate
Top Rails	4" x 5.4# Channel
Mid-Rail	6" x 8.2# Channel
Vertical Reinforcement	6" x 8.2# Channel
Floor Plate	1/4" A-36 Plate

All Specifications are subject to change without notice.

### Standard Features

- 1/4" x 2" x 2" Angle Floor Reinforcement
- 5/8" Plate Cams
- 1 3/4" Pins

### Dimensions

Model	A	B	C	D	Capacity
LL-8	121 1/2"	60"	48"	66"	8 Yards
LL-10	121 1/2"	72"	60"	66"	10 Yards
LL-12	133 1/2"	78"	60"	66"	12 Yards
LL-15	181 1/2"	69"	57"	66"	15 Yards
LL-18	187 1/2"	89"	53"	66"	18 Yards
LL-20	187 1/2"	89"	59"	66"	20 Yards

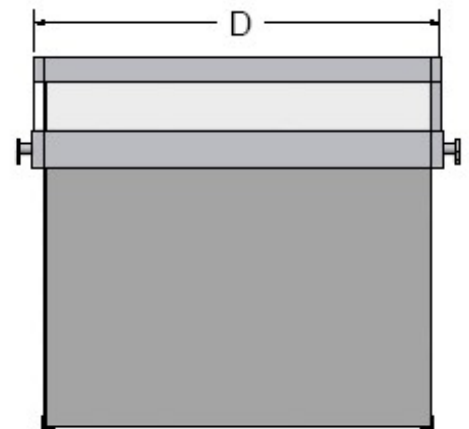
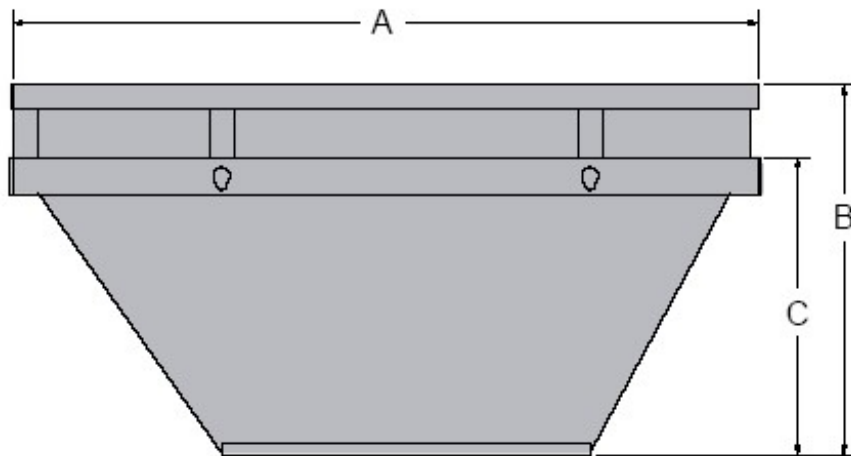
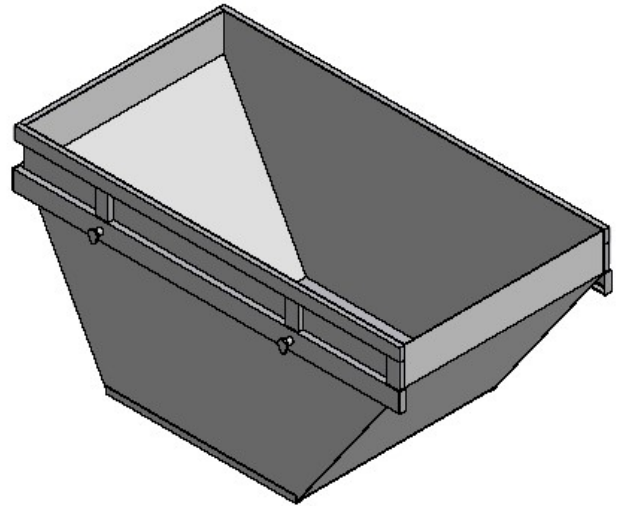


Illustration for reference only



**CONTRACT WELDING**  
& FABRICATING, INC.

385 Sumpter Road • Belleville • MI 48111-2932 • Phone (734) 699-5561 • Fax (734) 699-0360

P.O. Box 68 • Belleville • MI 48112-0068  
On the Web at: <http://www.contractwelding.com>

Distributor

02/14 REV2